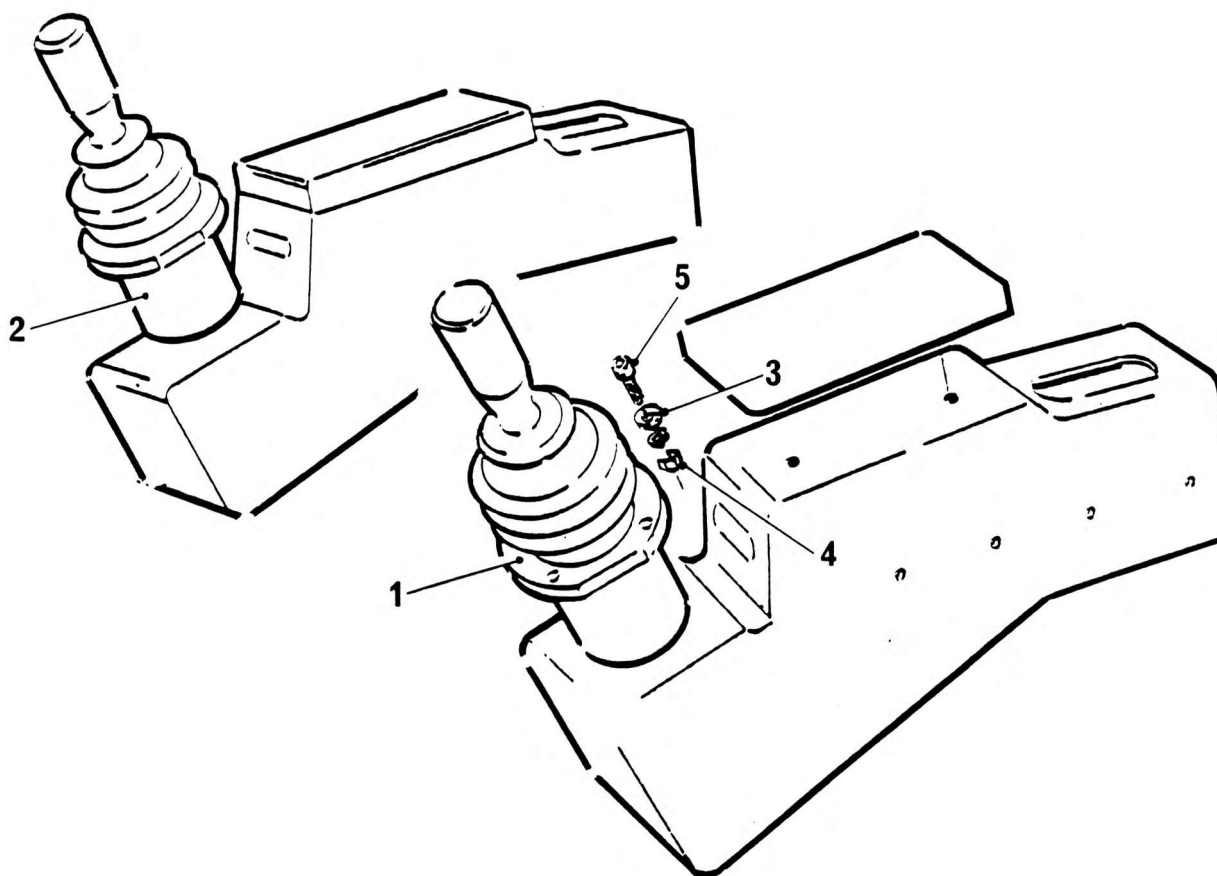


JOYSTICK CONTROLS ASSEMBLY WITH IND'R



NO.	PART NO.	QTY.	DESCRIPTION	NO.	PART NO.	QTY.	DESCRIPTION
1 +	6-926-990374	1	Joystick Assy				
2 +	6-926-990373	1	Joystick Assy - Tactile Display				
3	6-910-990772	8	Spacer				
4	7-429-000035	8	Well Nut Fastener				
5	7-101-100810	8	M10 Round Head Machine Screw				

+ See further breakdown in this group